

IP65 / CE/ RoHS

Temperature Transmitter

溫、濕度信號傳送器

User's Guide

使用說明書

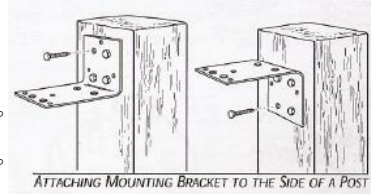
TRH-3200



■ TRH-3200 安裝方式 / Mounting the TRH-3200:

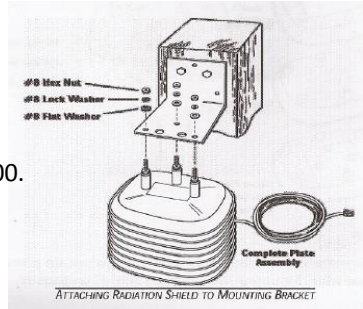
A. 安裝於柱子或牆壁上:

先將 L 板固定於欲安裝之柱子或牆面，
再依右方圖示將 TRH-3200 固定於 L 板上。
請確保 TRH-3200 被牢固的安裝於 L 板上。



A. Mounting on the Side of a Post or Wall:

Attaching the mounting bracket to the mounting surface in the desired location.
Secure the mounting bracket to the TRH-3200.
Tighten until the mounting bracket is firmly attached to the TRH-3200.

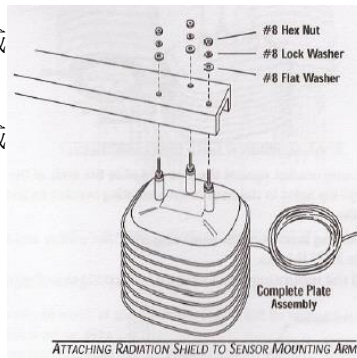


B. 安裝於傳感器安裝支架

將 TRH-3200 頂部的螺柱突出部份插入傳感器支架上對應的孔徑，以配件中的螺絲固定。請確保 TRH-3200 被牢固的安裝於傳感器安裝架。

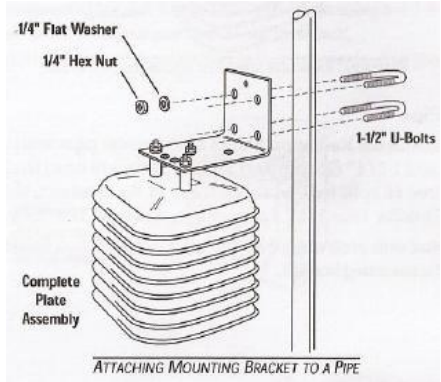
B. Mounting on the Sensor Mounting Arm

Slide the stud ends protruding from the top of the TRH-3200 assembly into the holes on the Sensor Mounting Arm. Secure the TRH-3200 to the Sensor Mounting Arm.
Tighten until the mounting bracket is firmly



C. 安裝於管子

將TRH-3200安裝於L板上，以配件中的U形螺絲固定於欲安裝之管子上，請確保TRH-3200被牢固的安裝於管子上。

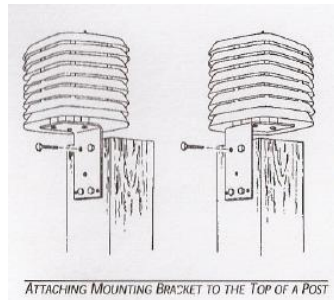


C. Mounting on a Pipe

Hold the mounting bracket against the pipe and slide the ends of the two 1 1/2' U-bolts through the holes in the back of the mounting bracket so that the U-bolts wrap around the pipe. Secure the TRH-3200 to the pipe. Tighten until the mounting bracket is firmly attached to the pipe.

D. 安裝於柱體頂端

將TRH-3200裝置於L板上，再將儀器裝置到柱體頂端。請確保TRH-3200被牢固的安裝於柱體頂端。



D. Mounting on Top of a Post

Mounting the TRH-3200 (with mounting bracket already attached) to the mounting surface in the desired location.