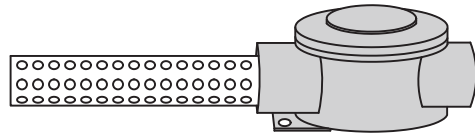


Temperature Probes LP series - 6

CUSTOMIZATION TYPE (Special)



LP-741 for Freezing



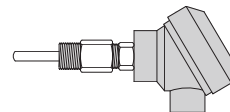
-60~+200°C

LP-811 ceramic protection tube(For high temperature)



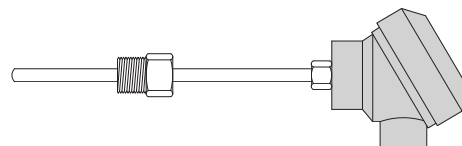
-20~+1250°C

LP-905



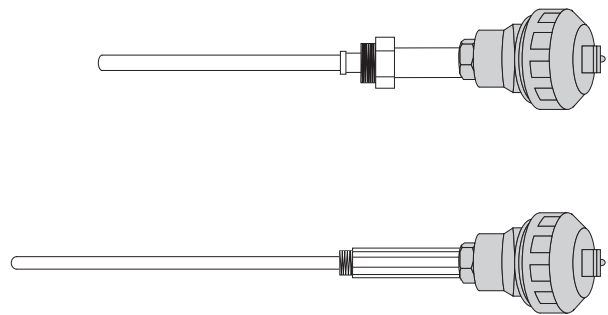
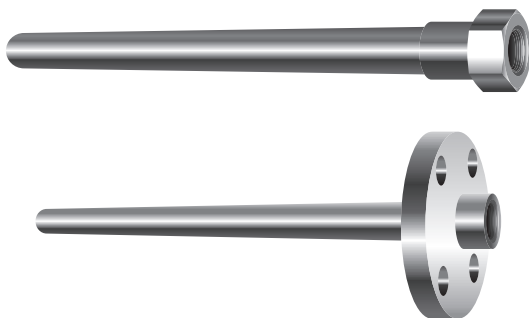
-30~+800°C

LP-906 Movable screw



-30~+800°C

LP-907 Thermocouple probe inserted into Thermowell



-80~+250°C

※The cable length and Temperature ranges can be specified.