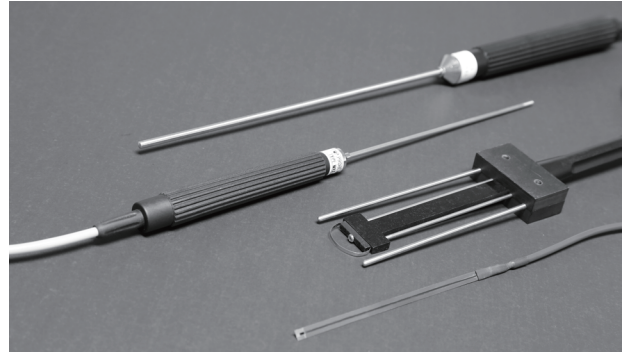

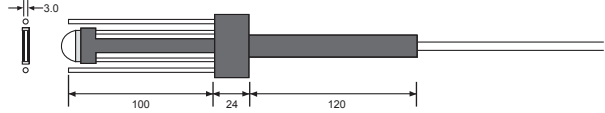

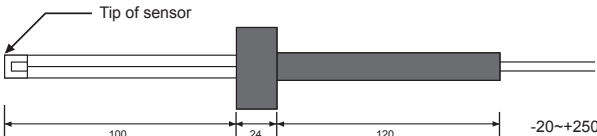



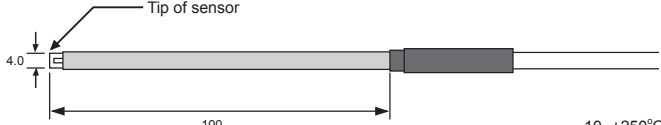


Temperature Probes LP series - 2






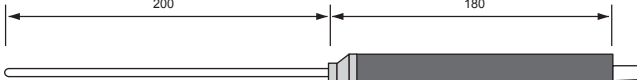

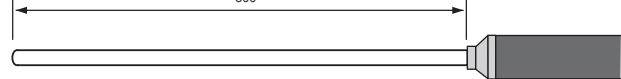
SLIT TYPE



<p>SPL-1 Narrow side use</p> 	 <p>-20~+300°C</p>
<p>SPL-2 Pressure bearable side use</p> 	 <p>-20~+250°C</p>
<p>SPL-3 For small areas use</p> 	 <p>-10~+250°C</p>
<p>SPL-4 For small areas use</p> 	 <p>-10~+250°C</p>

IMMERSION TYPE

Measuring the temperature of the liquid.

<p>LP-11</p> 	 <p>Ø2.0 x 100mm -50~+300°C</p>
<p>LP-12</p> 	 <p>Ø2.8 x L mm -50~+450°C</p>
<p>LP-13</p> 	 <p>Ø3.8 x 200mm -50~+500°C</p>
<p>LP-14 High-Temp use</p> 	 <p>Ø8 x 500mm -50~+1200°C</p>

※ Length and other specifications can be customized.

※ L mm = 150mm for standard.

※ The cable length and Temperature ranges can be specified.