



# Temperature/Humidity/Dew Point Transmitter

## TRH-600 series (1)

IP65  CE  RoHS

TRH-600 series adopts lamina-type polymer capacitive humidity sensor and platinum (PT100Ω) temperature sensor, which can measure temperature and relative humidity accurately.

After multiple calculations by high-end processing unit, it can provide long-term stable signal output. Excellent structural design is in line with IP65, even moisture, dust, Dirt, grease and common chemicals are not easy to invade the circuit to ensure a longer life. At aspects of installation, disassembly, wiring and adjustment, it's more convenient and speedy than other brands.

- Fast, stable and accuracy
- The round hand bolt is tight, without screws and buckles
- IP65 watertight and dust-proof enclosure
- Easy for installation
- With TFT LCD, check and adjust the data immediately
- 12 ~ 36Vdc power in
- Analog and RS-485 digit output
- Zero and Span adjustable
- The data range can be adjusted by the computer software



### Specifications of TRH-600

<b>Measurement Range</b>	Factory Temperature : 0~100°C (Standard max. temperature) (0~50°C, -40~60°C or -20~80°C can be customized) Factory Humidity : 0~100%RH (non-condensing) Factory dew point : -40~60°C *TRH-602/603 can only be used in -40~+85°C TRH-601 can be used in -40~600°C (with customized probes)	
<b>Accuracy (at 23±5°C)</b>	±0.3°C · ±2%RH (33~75%) · ±3%RH (15~33% · 75~90%)	
<b>Long-term stability</b>	In 50% environment, <1%RH per year (Typical)	
<b>Sensors</b>	Humidity : Thin-film capacitor Temperature : RTD Pt100Ω DIN, IEC 751	
<b>Probe Protection</b>	Black Nylon cover	
<b>Filter Element</b>	50um polyethylene PE sintered white filter element	
<b>Response</b>	<15 seconds	
<b>Wind Speed</b>	20m/s, with filter element	
<b>Display</b>	TFT LCD with Backlight (optional)	
<b>Power Supply</b>	12~36VDC · >150mA	
<b>Analog Output User Defined</b>	Can be customized through the buttons on the PCB main board button or the computer software	
<b>Analog Output</b>	4~20mA; 0~5V, 0~10V can be switched. Precision (±0.02mA, 0.02V)	
<b>Digital Output</b>	RS-485 Modbus (Baud can be customized 4800~230400)	
<b>Software Interface</b>	USB to Type C	
<b>Cable gland</b>	Liquid-tight nylon, cable bushing ø5-10mm	
<b>Ambient Temperature</b>	-40~+80°C · 0~95%RH (non-condensing)	
<b>Housing / Protection</b>	ABS plastic watertight enclosure (IP65)	
<b>Dimension / Weight</b>	Dimension : ø114×47mm (the base has a fixing hole, no need for a fixer) Fixed pitch : 100±1mm Weight : about 170g	
<b>Standard accessories</b>	TRH-600, manual, warranty, packing box	
<b>Approvals</b>	IP65, CE, RoHS	

\*Specifications are subject to change without notice.

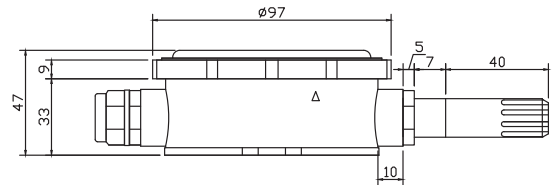
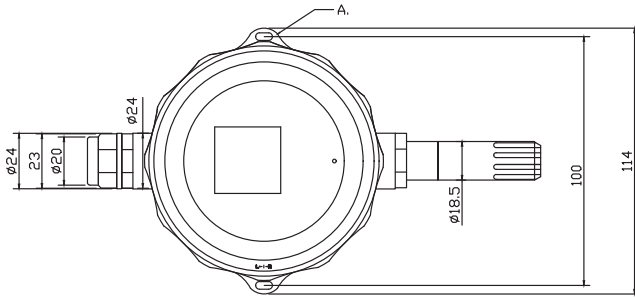


# Temperature/Humidity/Dew Point Transmitter

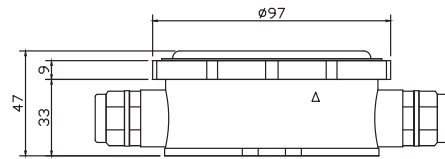
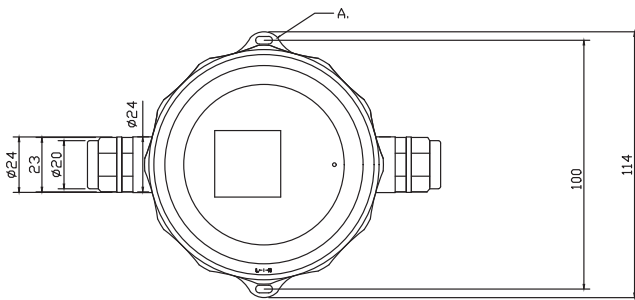
## TRH-600 series(2)

### External Dimensions (mm)

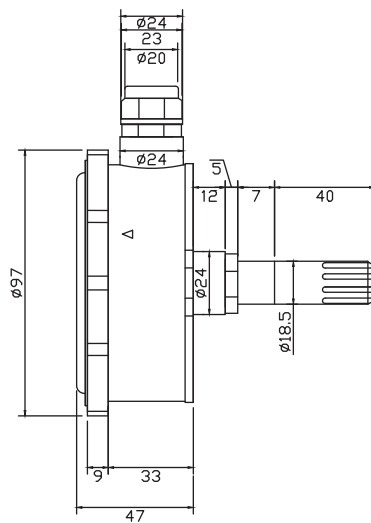
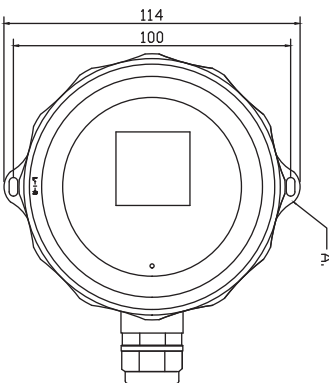
#### W Type



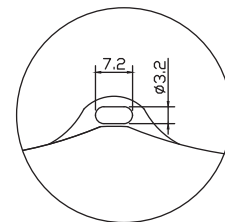
#### S Type



#### D Type



A.



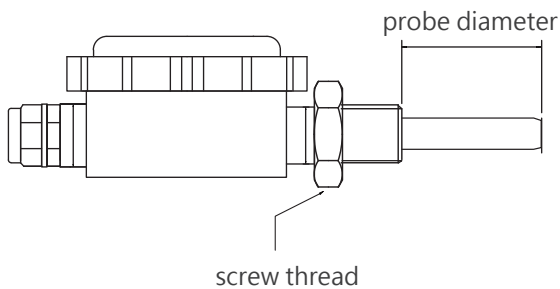


# Temperature/Humidity/Dew Point Transmitter

## TRH-600 series<sup>(3)</sup>

■ **Ordering Information** Please advise the specificatoin based on your individual needs.

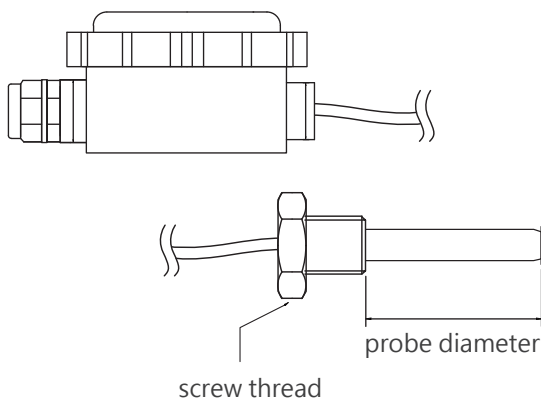
### W Type



Model No.	Descriptions	
TRH-601	Temperature transmitter	
TRH-602	Humidity transmitter	
TRH-603	Temperature / Humidity / Dew Point Transmitter	
<b>Shape (Mounting Type)</b>	W	Wall mount type
	D	Duct mount type (probe length specifiable)
	S	Sensor separated type (cable length specifiable)
<b>Display</b>	D	TFT Display
	N	NON

【Example】 TRH-601W-D : Temperature Transmitter, Wall mount Type, TFT Display

### S Type

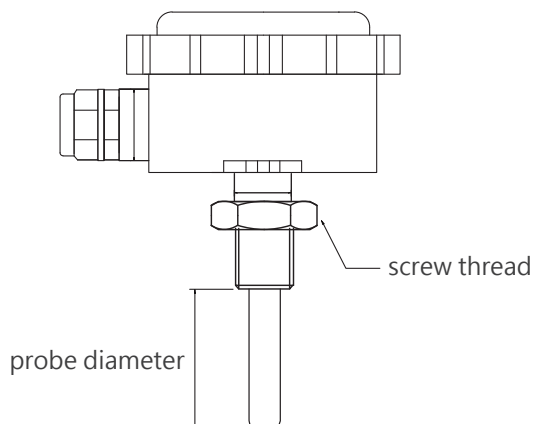


### W / S / D optional screw thread size

Screw thread size	Wall mount type	Duct mount type	Sensor separated type
1/4"PT	✓	✓	✓
1/2"PT	✓	✓	✓
M4	✗	✗	✓
M6	✗	✗	✓
M8	✗	✗	✓
M10	✗	✗	✓

\*Other types can be customized

### D Type



### W / S / D optional probe diameter type

Probe diameter	Temperature	Humidity	Temperature / Humidity / Dew Point
Ø3.8	✓	✗	✗
Ø4.8	✓	✗	✗
Ø6	✓	✓	✓
Ø6.35	✓	✓	✓
Ø8	✓	✓	✓
Ø10	✓	✓	✓

\*Other types can be customized

\*Max. probe length is 1500mmL