



# Humidity / Temperature Transmitter

## TRH-300 series (1)

IP65  CE  RoHS

- IP65 water proof for long-term stable use
- Easy to install and wiring
- Accurate relative humidity and temperature measurement
- Current or voltage outputs
- Available as wall, duct or separated mounting types

### Model No.

#### TRH-301

Temperature Transmitter

#### TRH-302

Humidity Transmitter

#### TRH-303

Temp. and Humidity Transmitter

#### Model No. TRH-300DF

1/2" NPT male connection for High Pressure use.



## Specifications of TRH-300

<b>Measurement Range</b>	0 ~ 100% RH 0 ~ 100°C (-20 ~ +80°C, 0 ~ 50°C, -40 ~ +60°C available)
<b>Accuracy (At 25°C)</b>	±2 % RH, ±0.3°C(※Power supply = 24VDC)
<b>Long-term stability</b>	Better than 1% RH per year (Typical)
<b>Temp. Compensation</b>	± 0.008% RH /°C (Effect @ 0 % RH)
<b>Response</b>	<15 sec. (90 % at +25°C in moving air over 0.5 M/S)
<b>Sensors</b>	Humidity : Thin-film capacitor Temperature : RTD Pt 100Ω IEC 751, DIN43760
<b>Output</b>	Current output : Humidity : 4 ~ 20 mA Two wire Temperature : 4 ~ 20 mA Two wire Voltage output : 0 to 1V, 0 to 5V, 0 to 10V or 1 to 5V, Selectable ※Other scales possible upon request
<b>Fine adjustment</b>	Zero and Span adjustable by spare potentiometer
<b>Power Supply</b>	12 ~ 30VDC >150mA ※Output of 0~10V needs the power supply of 18VDC
<b>Housing / Protection</b>	ABS plastic watertight enclosure (IP 65)
<b>Cable gland</b>	Liquid-tight nylon, cable Bushing suitable for ø5-10mm
<b>Ambient Temperature</b>	-40 ~ +60°C (- 40 ~ +140°F)
<b>Weight</b>	Approx. 150g
<b>Approvals</b>	IP65, CE, RoHS

\*Specifications are subject to change without notice.

## Option Accessories

TH-3133	33%RH Standard Solution
TH-3175	75%RH Standard Solution



# Humidity / Temperature Transmitter

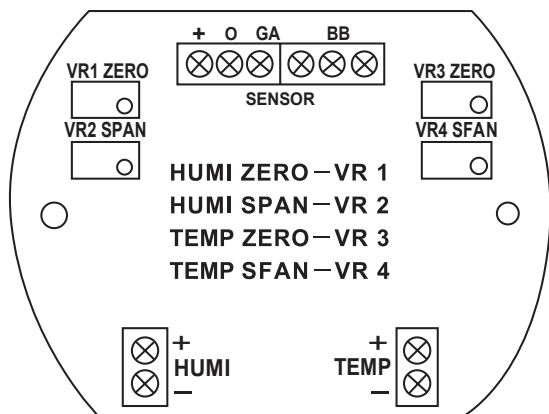
## TRH-300 series<sup>(2)</sup>

### ■ Ordering Information Please advise the specificatoion based on your individual needs.

Model No.	Descriptions	
TRH-301	Temperature transmitter	
TRH-302	Humidity transmitter	
TRH-303	Temperature / Humidity transmitter	
TRH-300DF	1/2" NPT male connection for high pressure use	
Shape(Mounting Type)	W	Wall mount type
	D	Duct mount type
	S	Sensor separated type
	DF	1/2"NPT male connection for high pressure use
Output	A	Current output : 4~20mA
	V	Voltage output : 0~1V, 0~5V, 0~10V, 1~5V

[ Example ] TRH-303WA: Temperature and Humidity transmitter, Wall mount type, Current output.

### ■ On-Site Calibration & Wiring



#### Humidity Calibration :

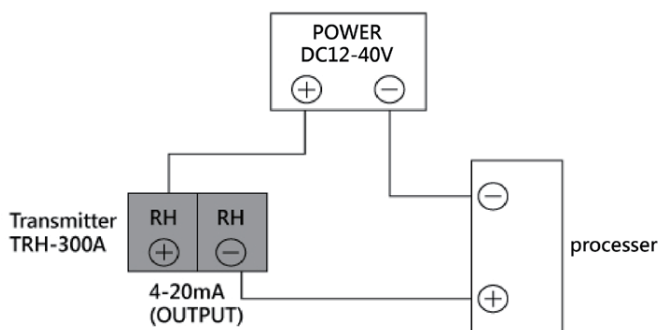
VR 1 .....ZERO Humidity  
VR 2 .....SPAN Humidity

#### Temperature Calibration :

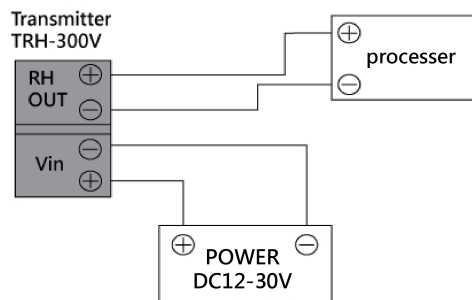
VR 3 .....ZERO Temperature  
VR 4 .....SPAN Temperature

### ■ Connecting Diagram

TRH-300A Current output type



TRH-300V Voltage output type



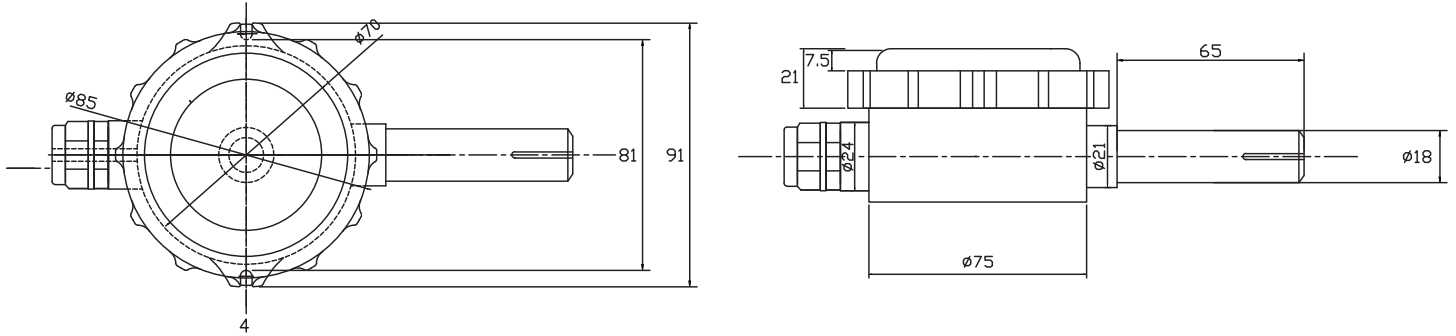


# Humidity / Temperature Transmitter

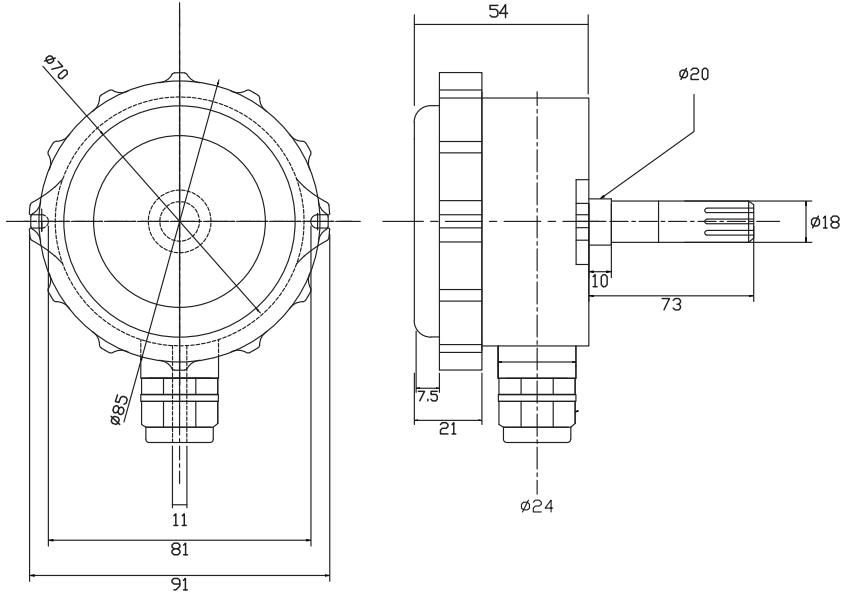
## TRH-300 series(3)

### External Dimensions(mm)

#### W Type



#### D Type



#### DF\_Long

