



Process indicator CTS-812

Features :

- Measuring : 0 ~ 20mA / 0 ~ 10V
- Accuracy : $\pm 0.1\%$
- Display range : -1999 ~ 9999
- Dimension : 1 / 32 DIN (48×24mm)
- High stability and reliability



Technical Specification

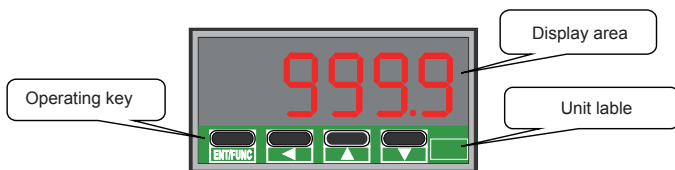
Measuring Range		Resolution	Input Resistance
Current	0 ~ 10 mA	0.01 mA	$\leq 250\Omega$
	0 ~ 20 mA		
	4 ~ 20 mA		
Voltage	0 ~ 5 V	0.001V	$\geq 1M\Omega$
	1 ~ 5 V		
	0 ~ 10 V		

Specifications of CTS-812

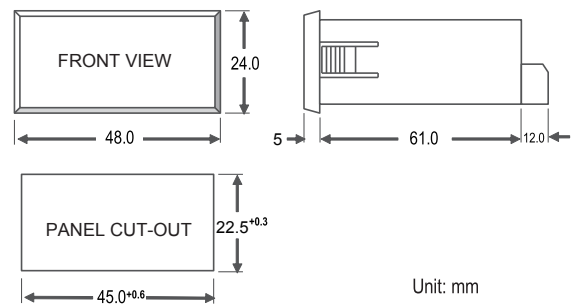
LED	4 digits, red high - brightness LED
Accuracy	$\pm 0.1\%$ F.S. ± 1 count
Display Range	-1999 ~ 9999
Fine adjustment	Digital fine adjustment by front key
Power	DC9 ~ 24V
Input Type	0 ~ 5V / 0 ~ 10V / 1 ~ 5V / 0 ~ 10mA / 0 ~ 20mA / 4 ~ 20mA

*Specifications are subject to change without notice.

Front Panel



Connection Diagram



Ordering Information

CTS-812

Voltage		Input Range		AUX. Power	
Code	Input range	Code	Input range	Code	AUX. Power
V4	0 ~ 5V	A2	0 ~ 10mA	D5	DC 5V
V5	0 ~ 10V	A3	0 ~ 20mA	D12	DC 12V
V6	1 ~ 5V	A4	4 ~ 20mA	D24	DC 24V
				D48	DC 48V
				ADH	AC 85 ~ 264V DC 100 ~ 300V